



PACKAGE INCLUDES

- Z-Shadow Frame
- (4) Zippered Sidewalls
- (4) Anchor Plates
- (2) Awning Poles
- Commercial Grade Top
- Name Banner
- 4-Piece Stake Kit
- Roll Away Bag



INITIAL SET UP

Please read each step before you attempt to set up. Save these instructions for future reference.



- 1** With partner, grasp two outer legs, slightly lift off the ground, and step backwards - stopping at full arms' length.



- 2** Unfold the polyester top and place it over the open frame.



- 3** Secure the polyester top to the frame by attaching the locking strips on the top with the locking strips on the frame. Pull the corners down fully.

- 4** Unscrew top attachment nut from bolt on frame. Place top fabric with grommets over each bolt, screw on top attachment nut and tighten until snug. Fabric top should rotate easily - do not over tighten. Repeat this procedure on the remaining grommets.



SET UP

- 1** With partner on opposite side of canopy, place your Z-Shadow frame in the center of area to be shaded. Grasp outer legs, lift off the ground, and step backwards - stopping at full arms' length.



- 5** Line up the polyester top with the (B) grommet holes, and tighten bolt on frame to secure top.



- 2** To engage Pull Pin slider at each corner, first lift the fabric off of the slider, then with one hand hold the top of the leg while pushing up on the slider with the other hand. The Pull Pin will engage the hole. Repeat on all 4 corners.



- 3** With partner, lift outer legs up and slide out the inner legs until the snap button locks into outer legs. Repeat on opposite legs.



TAKE DOWN



- 1** With partner, slightly lift up adjacent outer legs, depress snap button to unlock and telescope inner legs into outer legs. Repeat on opposite legs.

- 3** Grasp top and bottom area of trusses. Lift the canopy up slightly and shake while stepping towards your partner until 3/4 closed. With each partner grasping two outer legs, push frame together to fully close it. Be careful not to pinch fingers!



- 2** Release Pull Pin at each corner by first lifting fabric away from slider. With one hand push up on truss near the Pull Pin, pull the pin out to release.



NOTE: It is much easier to release Pull Pin when the canopy weight has been removed from the Pull Pin.

- 4** With partner on opposite side, grasp top and bottom area of trusses. Lift the canopy up slightly and shake it while stepping towards your partner until the unit is 3/4 closed. With each partner grasping two outer legs, push frame together to fully close it. Be careful not to pinch fingers! Store canopy in expandable roll away bag.

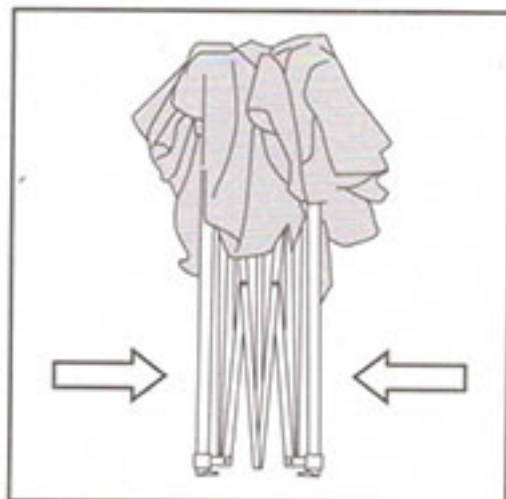


WARNING: Keep all flame and heat sources away from all product fabrics. These fabrics meet the flammability requirements of CPA-84. The fabric may burn if left in continuous contact with any flame source. The application of any foreign substance to the fabric may render the flame-resistant properties ineffective.

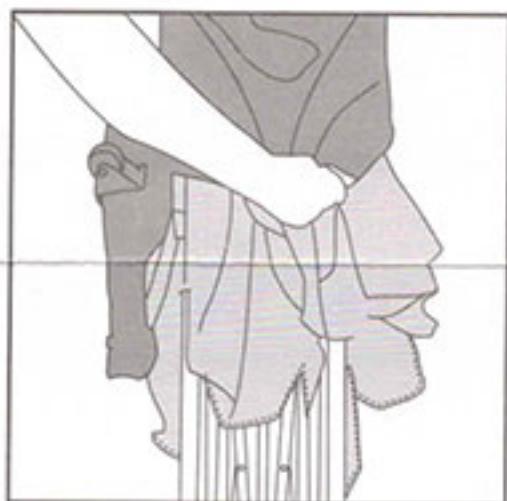


Z-SHADE™ ROLL AWAY BAG INSTRUCTIONS

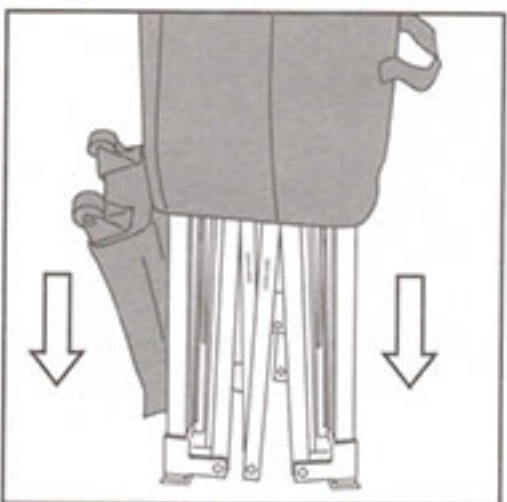
Refer to USER MANUAL for
additional information.



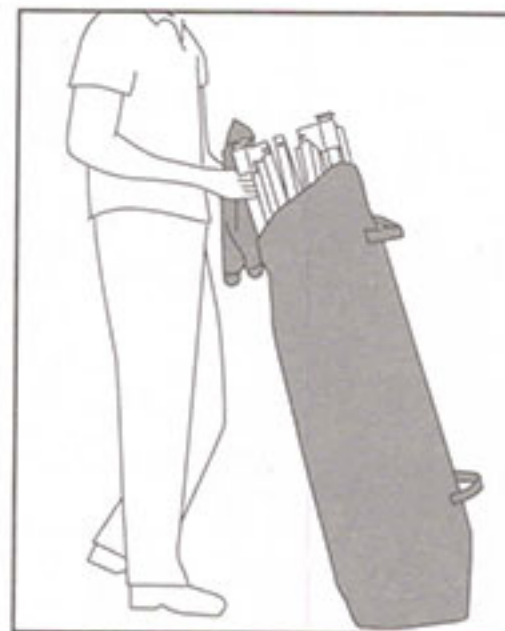
- 1** Close your Z-Shade canopy/frame completely (as shown).



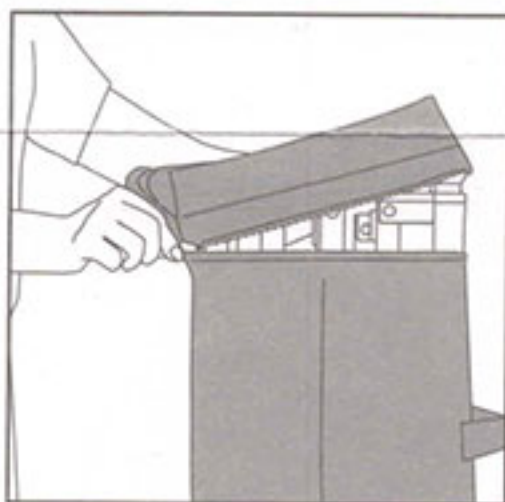
- 2** Open the roll away bag by unzipping the end by the wheels. Place the open end of roll away bag over the top of the Z-Shade canopy.



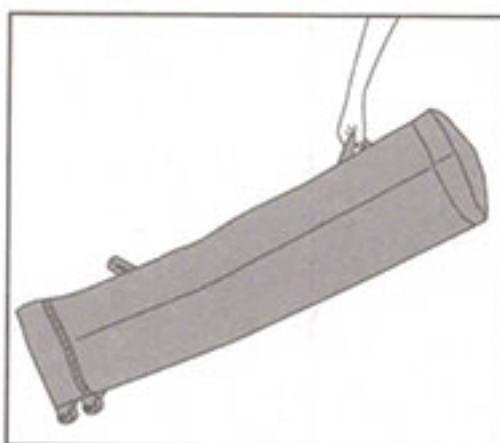
Slide roll away bag down until the canopy is completely covered.



- 3** Flip Z-Shade canopy upside-down (placing it on its side). Carefully, place hands underneath the canopy, lift and walk forward until it is upright.



- 4** Zip roll away bag closed.

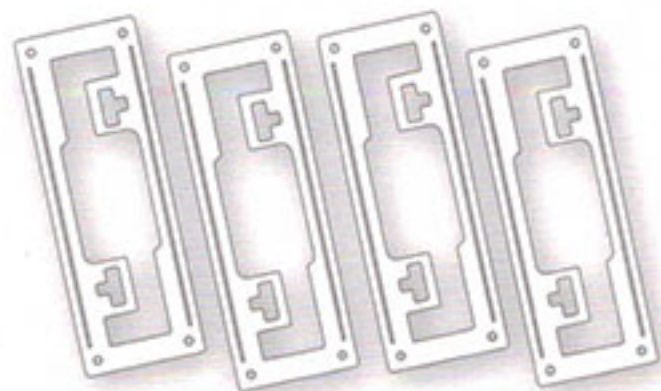


- 5** Roll away bag is designed to be pulled by the handle.



Z-SHADE™ ANCHOR PLATE INSTRUCTIONS

Refer to USER MANUAL for additional information.



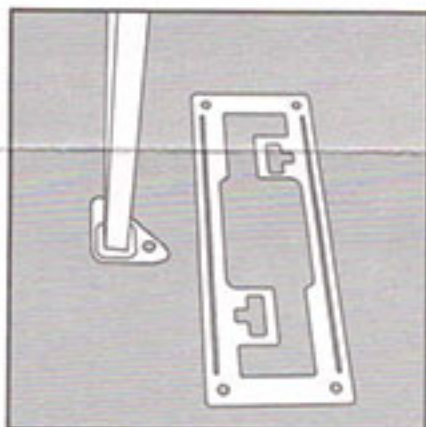
Z-Shade Anchor Plates
(Set of 4 shown)

1 SET UP INSTANT CANOPY

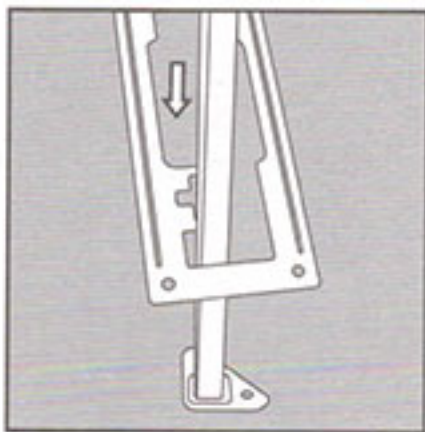
Set up your Z-Shade™ Instant Canopy in the area that you intend to shade according to the user manual instructions.

2 ANCHOR PLATES

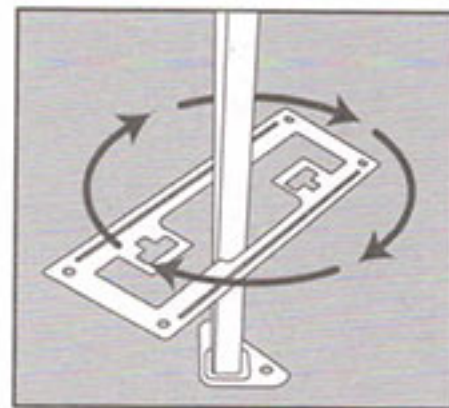
Line up the inside portion of the Z-Shade Anchor Plate with the foot at the base of the frame leg.



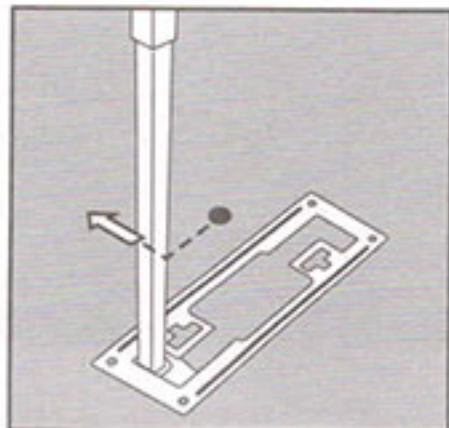
3 Carefully lift up and insert the frame leg into the Anchor Plate above the frame foot.



4 Next, position the Anchor Plate into any of 4 directions.



5 Move the Anchor Plate down the channel, then slide over to the end to secure.

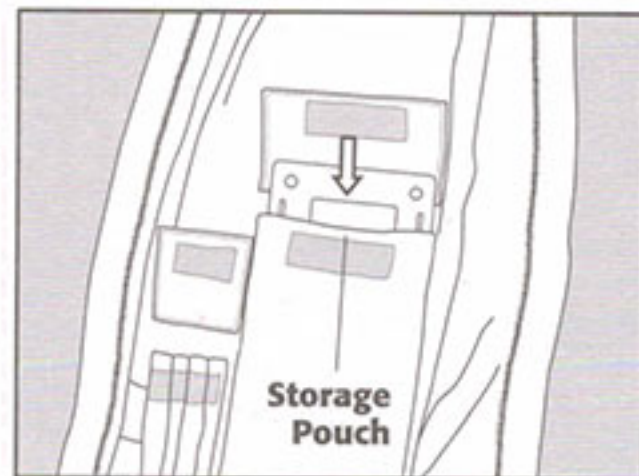


IMPORTANT: Always stake or weigh down your Z-Shade product. Place any heavy object on the plate to weigh down your canopy.
NOTE: 30-40 lb. recommended minimum.

Shown with cooler/ice chest (sold separately).

Storage Pouch:

Conveniently store your Z-Shade Anchor Plates inside the Roll Away Bag (included).



PRODUCT INFORMATION:

- Do not use in any potentially windy or rainy weather. Wind and rain can damage your Z-Shade product and may also result in injury to you or others. Therefore, do not rely on canopy for protection in heavy or prolonged rain storms.
- The Z-Shade product is designed as a temporary sun canopy.

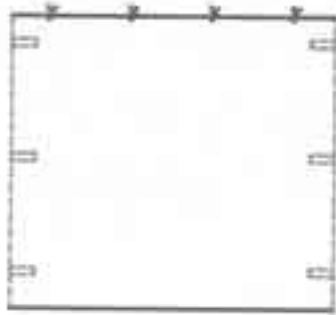
- Use caution when handling the Z-Shade frame. Avoid pinching hands or fingers as frame opens or closes.
- Do not use canopy in a lightning storm.
- Do not leave your Z-Shade product unattended or leave up for extended periods.



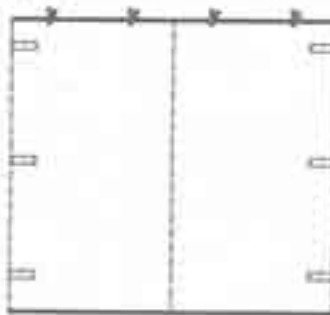
Z-SHADE™ SIDEWALL INSTRUCTIONS

Refer to USER MANUAL for additional information.

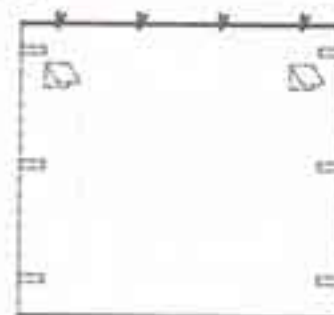
(2) SIDEWALLS



(1) BACK WALL



(1) FRONT WALL



Note: The long toggle and loop straps are for the roll-up feature on each wall.

The short toggle and loop straps are for attaching the sidewall to the frame trusses.

(4) Toggle and Loop Straps
on each wall top

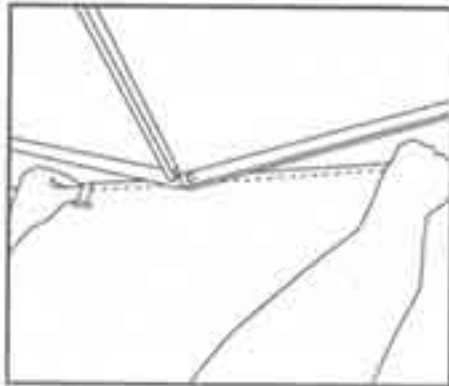
(3) Hook and Loop Straps
on each wall (right & left)

1 SIDEWALLS

Place the sidewalls on opposing sides of the instant canopy; these sidewalls will serve as the sides of the canopy.

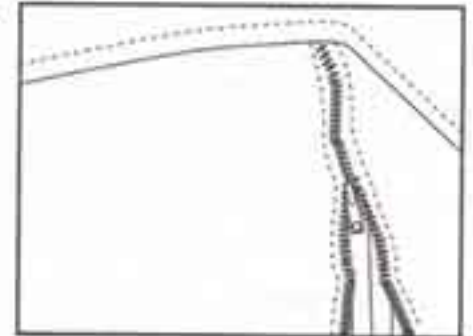
2 ATTACHING SIDEWALLS

Attach each sidewall to the fabric top by securing the hook and loop fabric straps on the wall and canopy top - start with the middle strap first. If you are going to use the 2 sidewalls, zip up the next wall before securing the second wall. Attach the middle straps, then secure the outer straps, repeat until finished. NOTE: The top of the sidewall tucks in between the canopy frame and the canopy top.



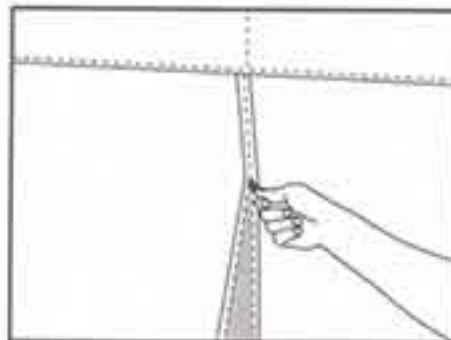
5 ENCLOSING THE CANOPY

To fully or partially enclose your instant canopy, zip the sidewalls together at each corner of the frame.



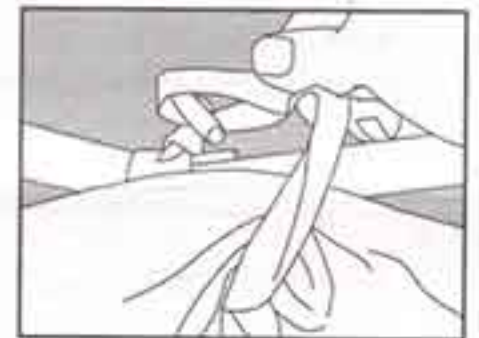
3 ATTACHING BACK WALL

Locate the back wall with the middle zipper which can be used as a back door. To attach, make sure that the two halves of the back wall are zipped together, then follow Step 2.



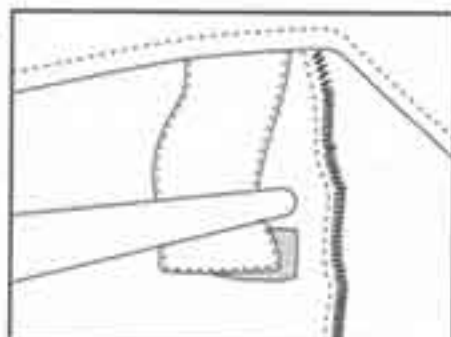
6 ROLL-UP FEATURE

To use the roll-up feature, unzip the sidewall at each corner. Have one person stand at each end of sidewall and roll the sidewall up. Once the sidewall has been rolled to the top, secure it by using the long toggle and loop strap. Wrap the toggle and loop strap around the sidewall, over the frame truss and then hook onto the toggle end.



4 ATTACHING FRONT WALL

Remove awning fabric first, if attached. - Locate the front wall with the awning cut-outs located at the top corners. Lift the awning cut-out flap over the awning poles and slide the front wall towards the frame. Then follow Step 2 "ATTACH AWNING".



7 RELEASING THE ROLLED-UP SIDEWALLS

To drop down the rolled-up sidewalls, release the toggle and loop straps and let the sidewall unroll and drop to the ground.

IMPORTANT

When enclosing your instant canopy by zipping up all 4 sidewalls, it is strongly recommended the canopy be weighed down and secure to avoid wind damage. Carefully read and follow the instructions provided with this product.