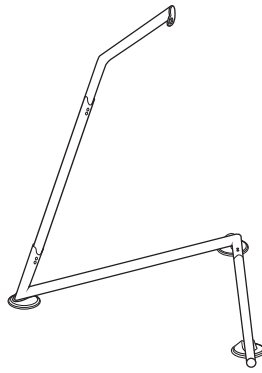




# Z-Stand



## Parts List

(4) steel Z-stand tubing pieces. Each of these pieces should be labeled (1, 2, 3, 4, see fig. below), and each is identified by label number in the instructions below.

(12) threaded screws

(1) Alan wrench

(3) Wood feet

The Hammaka Z-Stand comes in two separate boxes. Box 1 contains piece #1 and #3, while box 2 contains piece #2, #4, wood feet and all hardware.

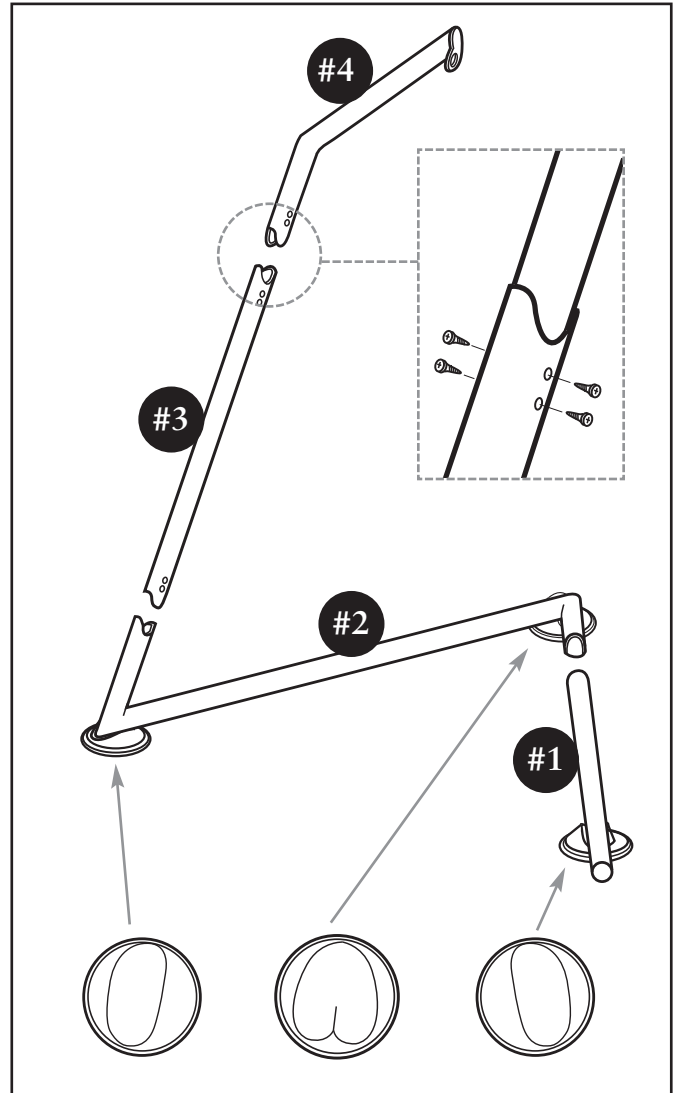
*Make sure all of the above pieces are included prior to assembling your Z-Stand. If anything is missing, please contact Hammaka at 877-426-6252.*

Congratulations on your purchase of your Hammaka Z-Stand. Before you Climb In and Hang Out, follow these instructions to ensure your safety and maximize your comfort. Your Z-Stand has a weight limit of 250 pounds, and can be used inside or outside. The Hammaka Z-Stand is designed for use with the Hammaka Hammock Chair, Cradle Chair, or Nami Chair. However, most hanging chairs can be used with the stand. A similar installation process should be followed if you are using a different hanging chair product with your stand.

## INSTALLING THE Z-STAND

- 1) Place piece #1 flat on the ground, with the pre-drilled screw holes visible on both sides.
- 2) Slide the joint end of piece #1 onto one joint end of piece #2, aligning the screw holes on both sides.
- 3) Insert screws into screw holes on both sides, with two screws on each side (4 screws total). Thread screws into holes, but do not fully tighten.
- 4) Slide other joint end of piece #2 onto one joint end of piece #3, aligning screw holes on both sides.
- 5) Insert screws into screw holes on both sides, with two screws on each side (4 screws total). Thread screws into holes, but do not fully tighten.
- 6) Slide other joint end of piece #3 onto joint end of piece #4, aligning screw holes on both sides.
- 7) Insert screws into screw holes on both sides, with two screws on each side (4 screws total). Thread screws into holes, but do not fully tighten.
- 8) Tighten all screws on all connections with Alan wrench provided. Do not over-tighten.
- 9) Hang your hanging chair (*sold separately*) from the hanging point on the end of piece #4.
- 10) Place the wood feet at the three corners of the Z-stand base. The Z-Stand should sit in the grooves of the wood foot pieces, with the two one-groove pieces at the outside corners and the one two-groove piece at the point of the Z-Stand base.

11) *Climb In and Hang Out!*



### CAUTION:

The Hammaka Z-Stand is not designed as a swing. Do not swing or spin in chairs. Swinging and spinning could cause attachment to loosen, or could cause the Z-Stand to tip, resulting in serious injury or death. Only use the stand when placed on a level surface. BailCorp International Products and its affiliates are not responsible for injury or accident that results from misuse of the Z-Stand and/or hanging chair, including swinging, rocking, spinning, or any other action that would cause the chair or stand to fall, break, or come apart.

