

Parts List

- (1) Trailer Hitch Stand base with two rounded pillars and one square base piece (square end fits into any standard 2" x 2" trailer hitch receiver)
- (2) Curved steel arms with hook attached at top
- (4) Bolts with washers and nuts
- (1) Alan wrench

Make sure all of the above pieces are included prior to installing your Hammaka Trailer Hitch Stand. If anything is missing, please contact Hammaka at 877-426-6252.

Trailer Hitch Stand

Congratulations on your purchase of your Hammaka Trailer Hitch Stand. Before you Climb In and Hang Out, follow these instructions to ensure your safety and maximize your comfort. Your Trailer Hitch Stand has a weight limit of 500 pounds (250 pounds per arm), and should only be used when the attached vehicle is not in motion and the motor of the attached vehicle is off. The Hammaka Trailer Hitch Stand is designed for use with the Hammaka Hammock Chair, Cradle Chair, or Nami Chair. However, most hanging chairs can be used with the stand. A similar process should be followed if you are using a different hanging chair product with your stand.

INSTALLING THE TRAILER HITCH STAND

1. Insert the square end of Trailer Hitch Stand base into the trailer hitch receiver of vehicle (see fig. 1).
2. Secure Trailer Hitch Stand base into receiver with hitch pin and keeper.
3. Place one curved steel arm on the rear circular tube (closest to vehicle) of the Trailer Hitch Stand base, aligning the holes in the curved bar with the holes in the stand base, the top of the curved arm angled to the left (see fig. 2). Align holes, insert bolts, and secure tightly.
4. Place the other curved steel arm on the front circular tube (furthest from the vehicle) of the Trailer Hitch Stand base, aligning the holes in the curved arm with the holes in the stand base, the top of the curved arm angled to the right. Align holes, insert bolts, and secure tightly (see fig. 3).
5. Note: There are two sets of holes on the front circular tube of the stand base. Use the holes drilled at the angle for use with two chairs; use the holes drilled straight from front-to-back to hang only one chair. If hanging only one chair, use only one curved steel arm.
6. Make sure all bolts are secured tightly.
7. *Climb In and Hang Out!*

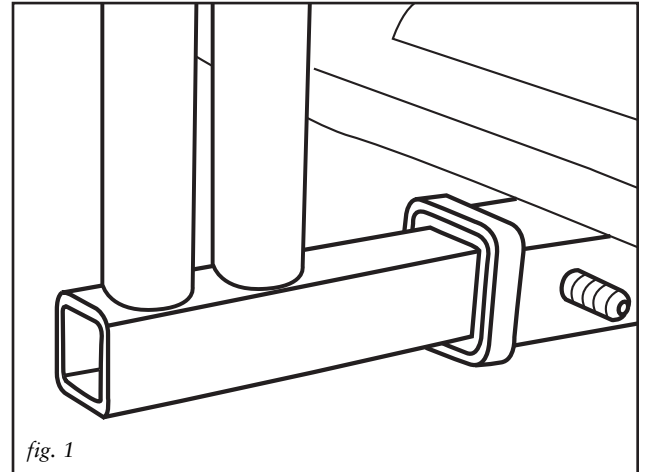


fig. 1

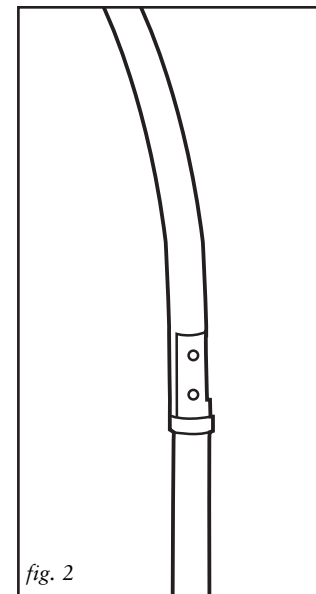


fig. 2

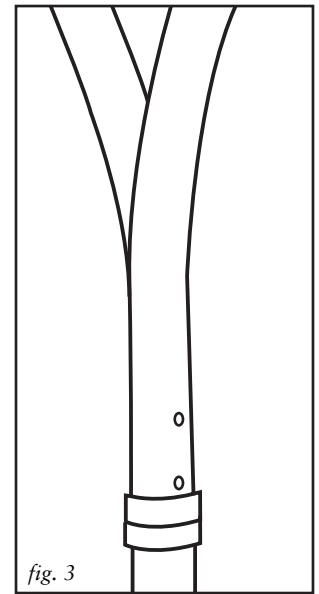


fig. 3

CAUTION: The Hammaka Trailer Hitch Stand is not designed as a swing. Do not swing or spin in chairs. Swinging and spinning could cause the knot to loosen, resulting in injury. Only install the stand when the attached vehicle is turned off, with the emergency brake on and with no threat of the vehicle moving in any way. Remove the stand prior to any vehicle movement, and never use the stand while the attached vehicle is in use. Use of the Trailer Hitch Stand while the attached vehicle is moving, or while the motor is running, could cause serious injury or death. BailCorp International Products and its affiliates are not responsible for injury or accident that results from misuse of the chair and/or stand, – including swinging, rocking, spinning, using while vehicle is moving or is turned on, or any other action that would cause the chair or stand to fall, break, or come apart.

