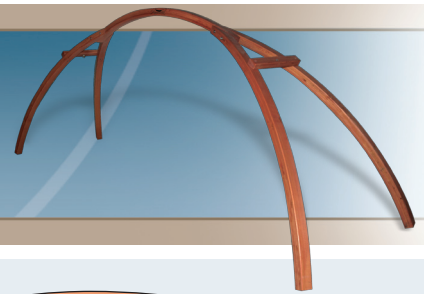


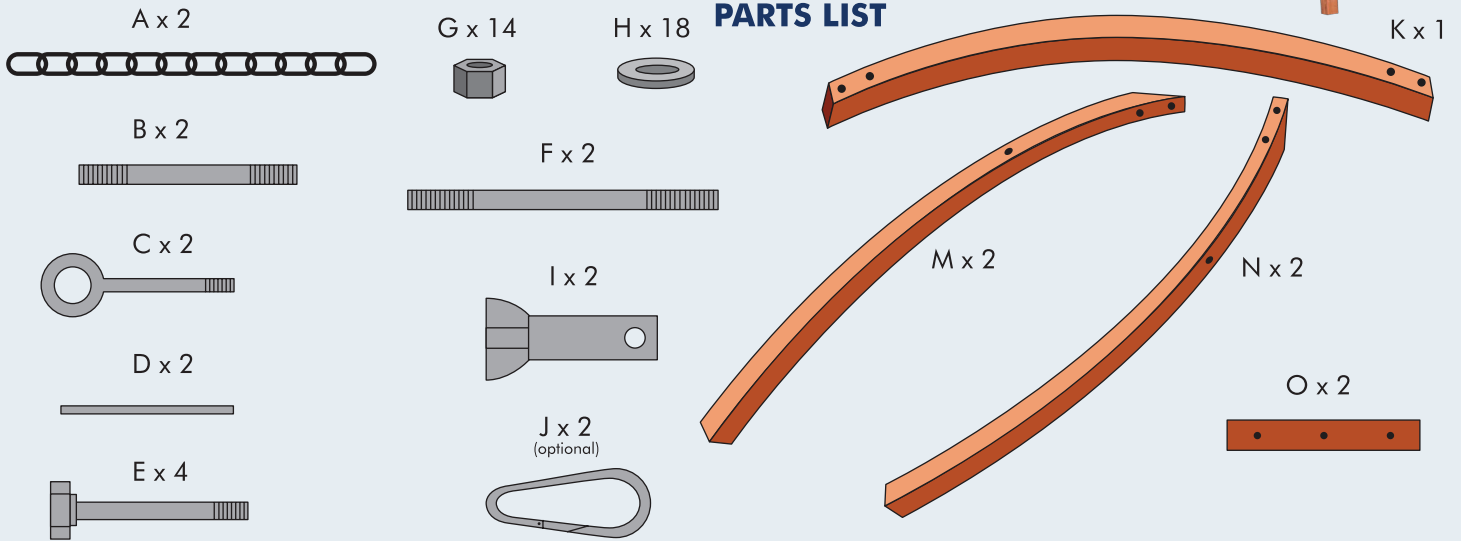


Bow Stand

Assembly Guide

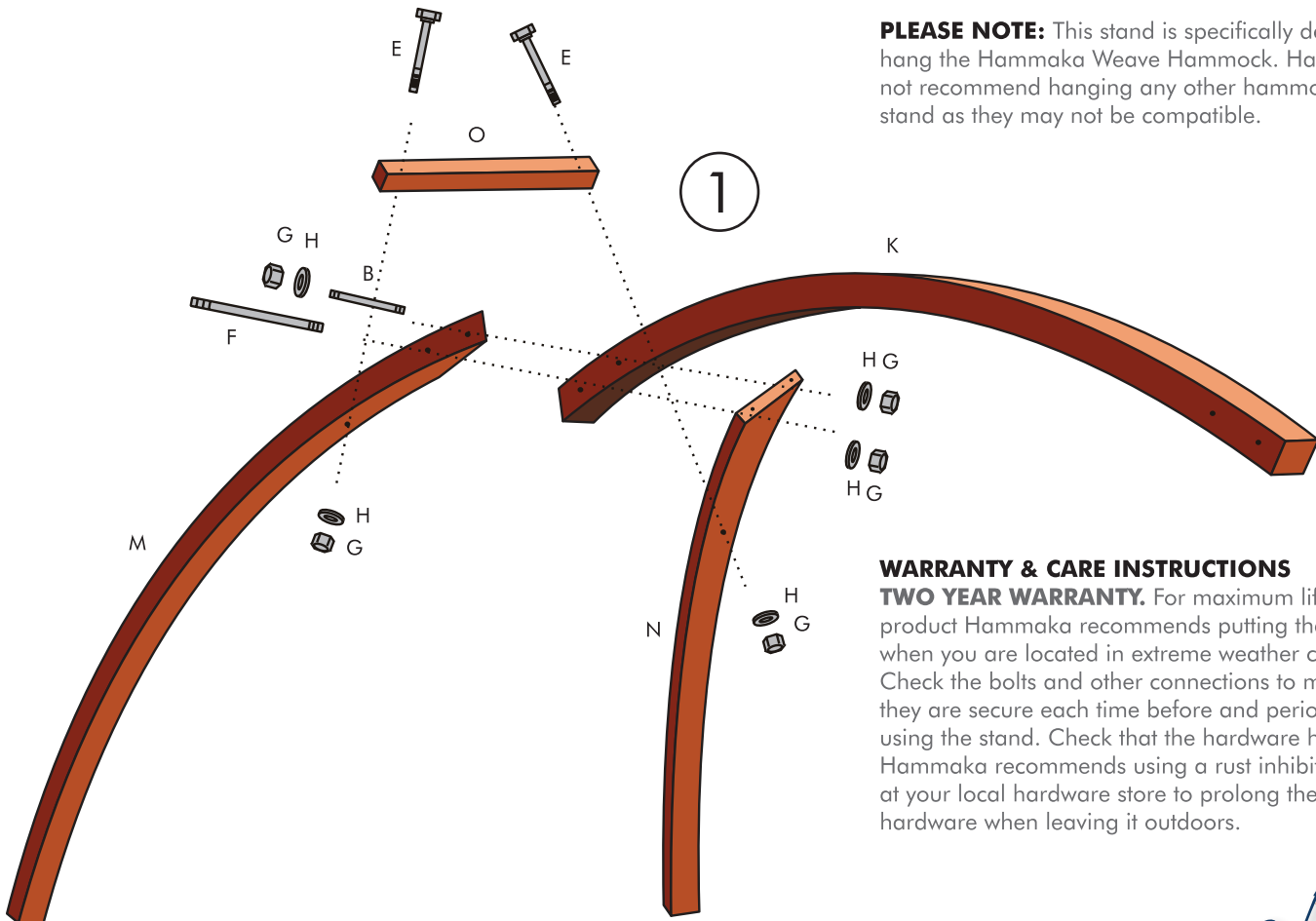


PARTS LIST



Make sure all of the above pieces are included prior to assembling your Double Nami Chair. If anything is missing, please contact Hammaka at 877-426-6252.

PLEASE NOTE: This stand is specifically designed to hang the Hammaka Weave Hammock. Hammaka does not recommend hanging any other hammock from this stand as they may not be compatible.



WARRANTY & CARE INSTRUCTIONS

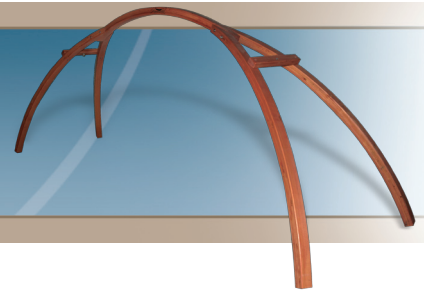
TWO YEAR WARRANTY. For maximum life of this product Hammaka recommends putting the item indoors when you are located in extreme weather conditions. Check the bolts and other connections to make sure they are secure each time before and periodically while using the stand. Check that the hardware has not rusted. Hammaka recommends using a rust inhibitor available at your local hardware store to prolong the life of the hardware when leaving it outdoors.





Bow Stand

Assembly Guide

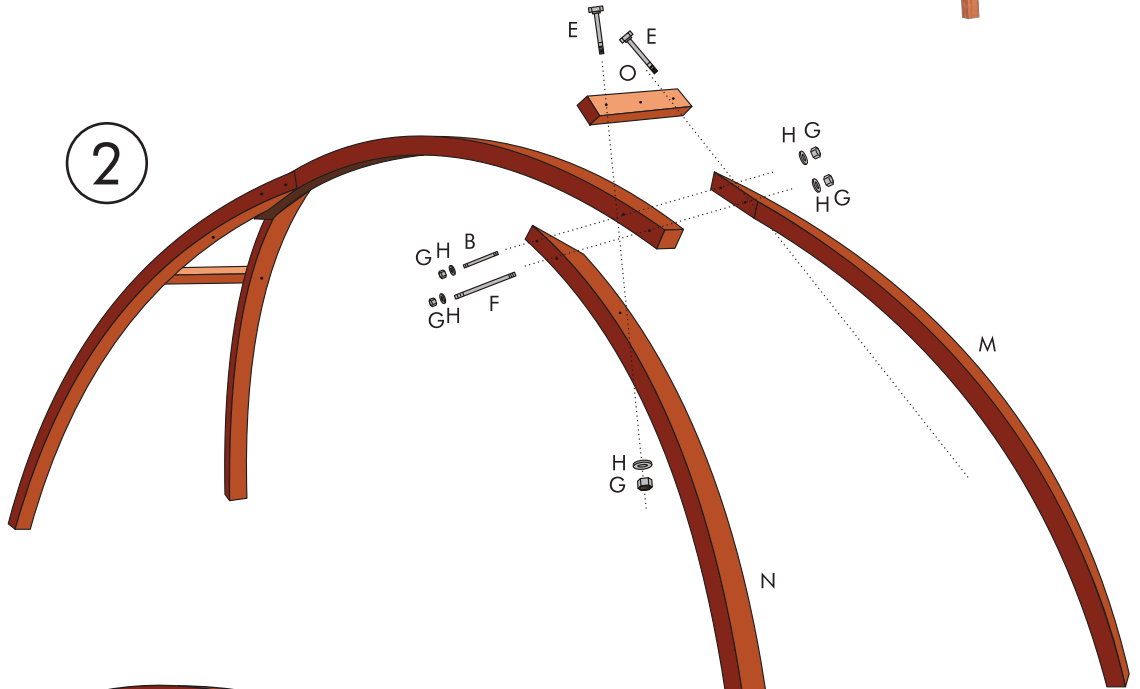


CAUTION!

DO NOT JUMP OR BOUNCE IN THE BOW STAND; DOING SO MAY CAUSE SERIOUS INJURY OR DEATH!

The Bow Stand's maximum weight capacity is 450 lbs. Do not exceed maximum weight capacity. Inspect hooks, and hardware before each use for rust or loosening that makes the stand unsafe to use. It may be necessary to tighten the hardware each time before using the Bow Stand due to hot or cold weather conditions. Inspect the overall condition of the stand before each use. Children should not use the stand without adult supervision.

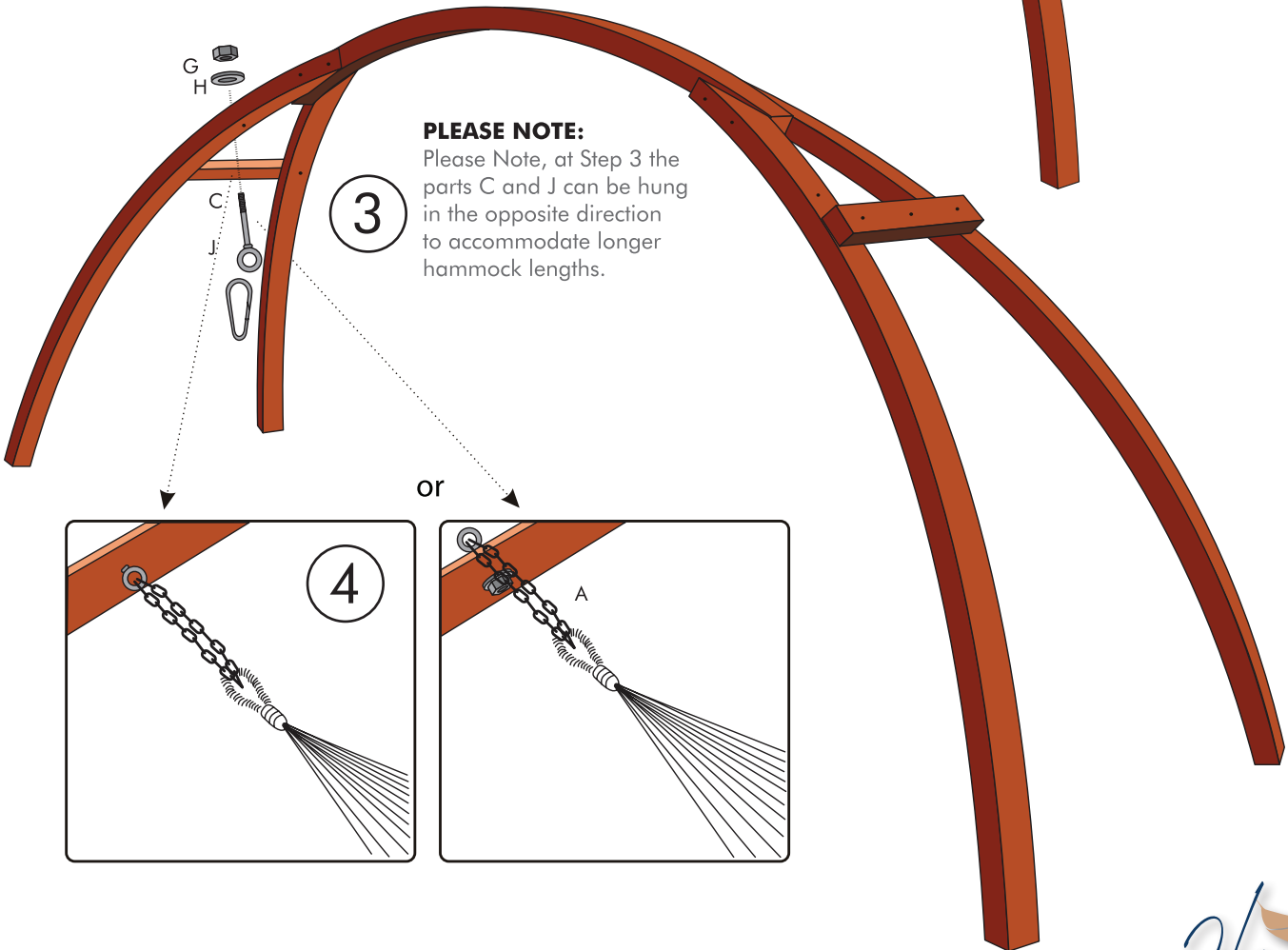
2



3

PLEASE NOTE:

Please Note, at Step 3 the parts C and J can be hung in the opposite direction to accommodate longer hammock lengths.



4

